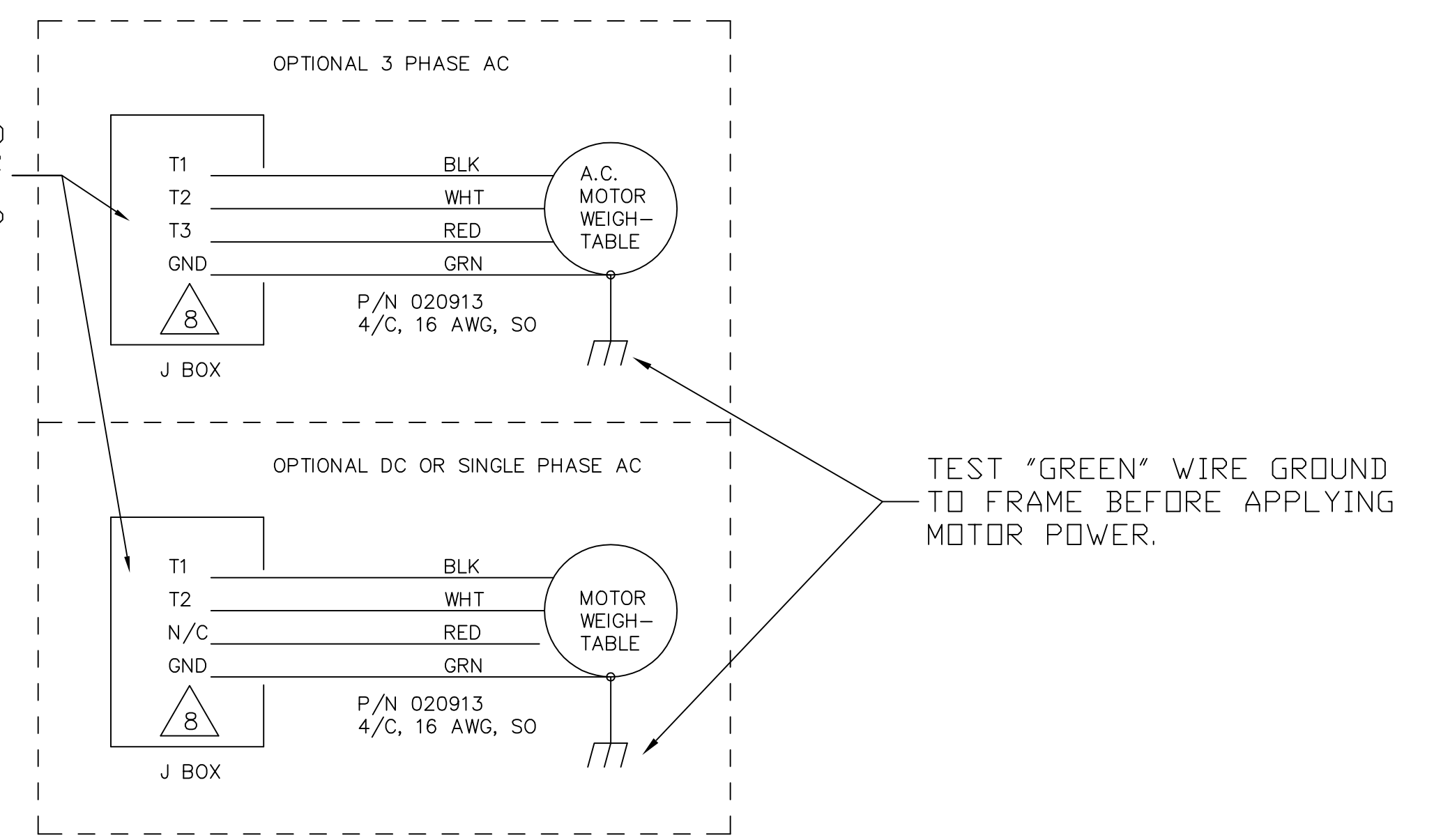


EXTERNAL COMMUNICATIONS CABLING	
MS3106A CONNECTOR PIN #	FUNCTION / SIGNAL
A	SHIELD
B	SIGNAL GROUND
C	TxD-(A)
D	TxD+(B)
E	RxD-(A)
F	RxD+(B)
EIA-422/485 4-WIRE	
E	TxRxD-(A)
F	TxRxD+(B)
EIA-422/485 2-WIRE	
G	<NC>
H	DTR (Data Terminal Ready)
I	TxD (Transmit Data)
J	RxD (Receive Data)
K	<NC>
L	CTS (Clear To Send)
EIA-232	
M	<NC>
N	<NC>

SWITCH #	SW3 - COMMUNICATIONS CONFIGURATION	
1	PORT 1 - SELECT (232/485)	OPEN = 232 CLOSED = 485
2	PORT 1 - SELECT (2/4-WIRE) [N/A EIA-232]	OPEN = 4-WIRE CLOSED = 2-WIRE
3	PORT 2 - SELECT (232/485)	OPEN = 232 CLOSED = 485
4	PORT 2 - SELECT (2/4-WIRE) [N/A EIA-232]	OPEN = 4-WIRE CLOSED = 2-WIRE
5	N/C	
6	N/C	
7	PORT 1 - TERMINATION (120 OHM)	OPEN = NO CLOSED = YES
8	PORT 2 - TERMINATION (120 OHM)	OPEN = NO CLOSED = YES

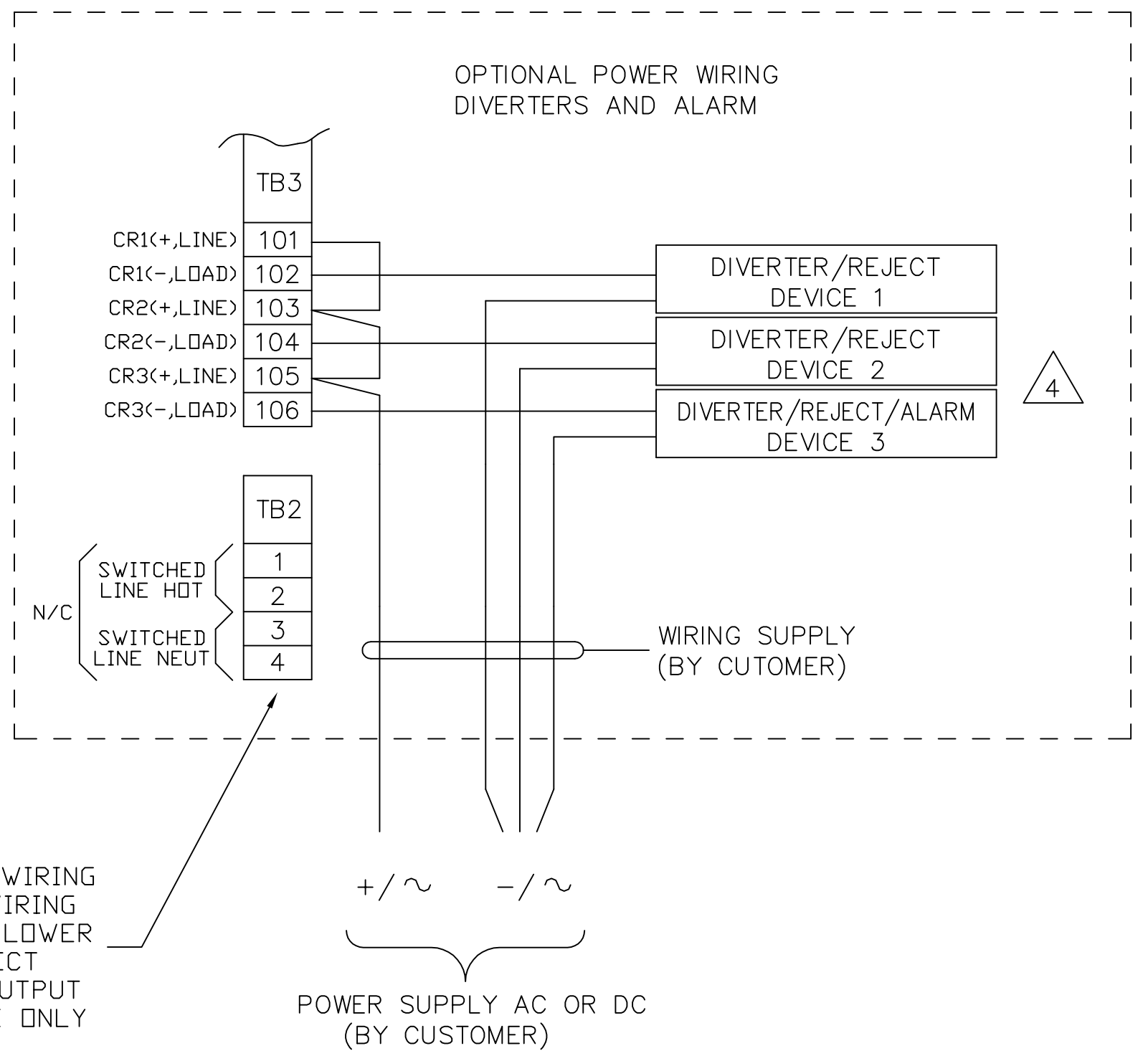
HARDWARE HANDSHAKE SELECTION (ON/OFF) IS PROVIDED BY A MACHINE MENU SELECTION

SMALL J-BOX SUPPLIED ONLY WHEN THE MOTOR IS MOUNTED ON THE LOADCELL. (FR-44 ETC)

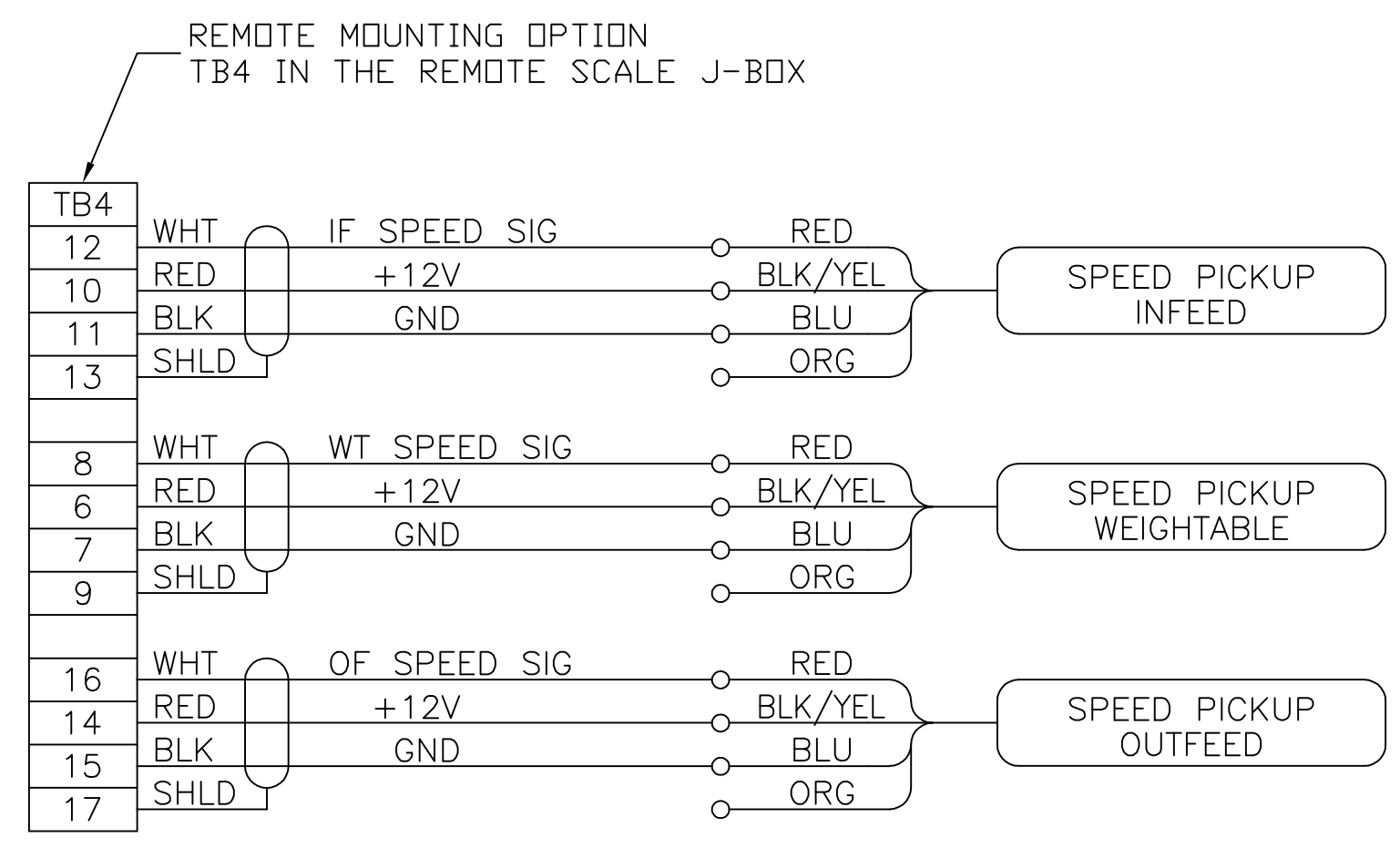


CUSTOMER CONTROLLED MOTOR OPTION

OUTPUT MODULES ARE AVAILABLE IN SOLID STATE AC (P/N 037289), SOLID STATE DC (P/N 039669) AND RELAY CONTACT (P/N 044552). ALL OUTPUTS ARE RATED FOR AT LEAST ONE AMP.



TO USE OPTIONAL POWER WIRING REMOVE ALL EXISTING WIRING FROM TB2 & TB3 TO THE LOWER ENCLOSURE AND CONNECT DIVERTERS AND ALARM OUTPUT IN THE UPPER ENCLOSURE ONLY



OPTIONAL SPEED SENSOR WIRING WHEN THE SPEED SENSOR IS PART OF THE MOTOR AND HARD WIRED, USE 3 CONDUCTOR/SHIELD #22 AWG (P/N 020983). SPLICE WIRE IN MOTOR J-BOX. ORANGE WIRE MUST BE INSULATED WITH SHRINK TUBING.

DO NOT SCALE DWG		SCALE		This document is confidential and is the property of Thermo Ramsey ("Ramsey"). It may not be copied or reproduced in any way without the expressed written consent of Ramsey. This document also is or unpublished work of Ramsey. Ramsey intends to and is maintaining the work as confidential information. Ramsey also may seek to protect this work as an unpublished copyright. In the event of either inadvertent or deliberate publication, Ramsey intends to enforce its rights to this work under the copyright laws as a published work. Those having access to this work may not copy, use or disclose the information in this work unless expressly authorized by Ramsey.	
REMOVE ALL BURRS AND UNNECESSARY SHARP EDGES	JOB NO	ENG	GJB	DATE	08-23-01
TOLERANCE UNLESS SPECIFIED		DWN	GJB	DATE	08-23-01
.X ± .06		CHK	GJB	DATE	08-23-01
.XX ± .03					
.XXX ± .01					
FRACT ± 1/16					
ANGLES ± 1/2°					
NEXT ASS'Y		CADD DATABASE: AUTOCAD			
CUST ORDER NO		FIELD WIRING DIAGRAM			
CUSTOMER LOCATION		REMOTE J-BOX (PCBA)			
USER LOCATION		AC4000i CHECKWEIGHER			
		SHEET 6 OF 6			
REV	ECO NO	DESCRIPTION	DATE	BY	APPD
		SEE SHEET ONE			
069580		D07349K-W030			D