

VERSION	PART NUMBER	DESCRIPTION	DIMENSION "A"
-01		CABLE ASSY,COM,DB9,RS232, 10'	10 FT
-02	069471	CABLE ASSY,COM,DB9,RS232, 25'	25 FT
-05		CABLE ASSY,COM,DB9,RS232, 50'	50 FT
-10		CABLE ASSY,COM,DB9,RS232, 100'	100 FT
-25		CABLE ASSY,COM,DB9,RS232, 250'	250 FT
-35		CABLE ASSY,COM,DB9,RS232, 350'	350 FT

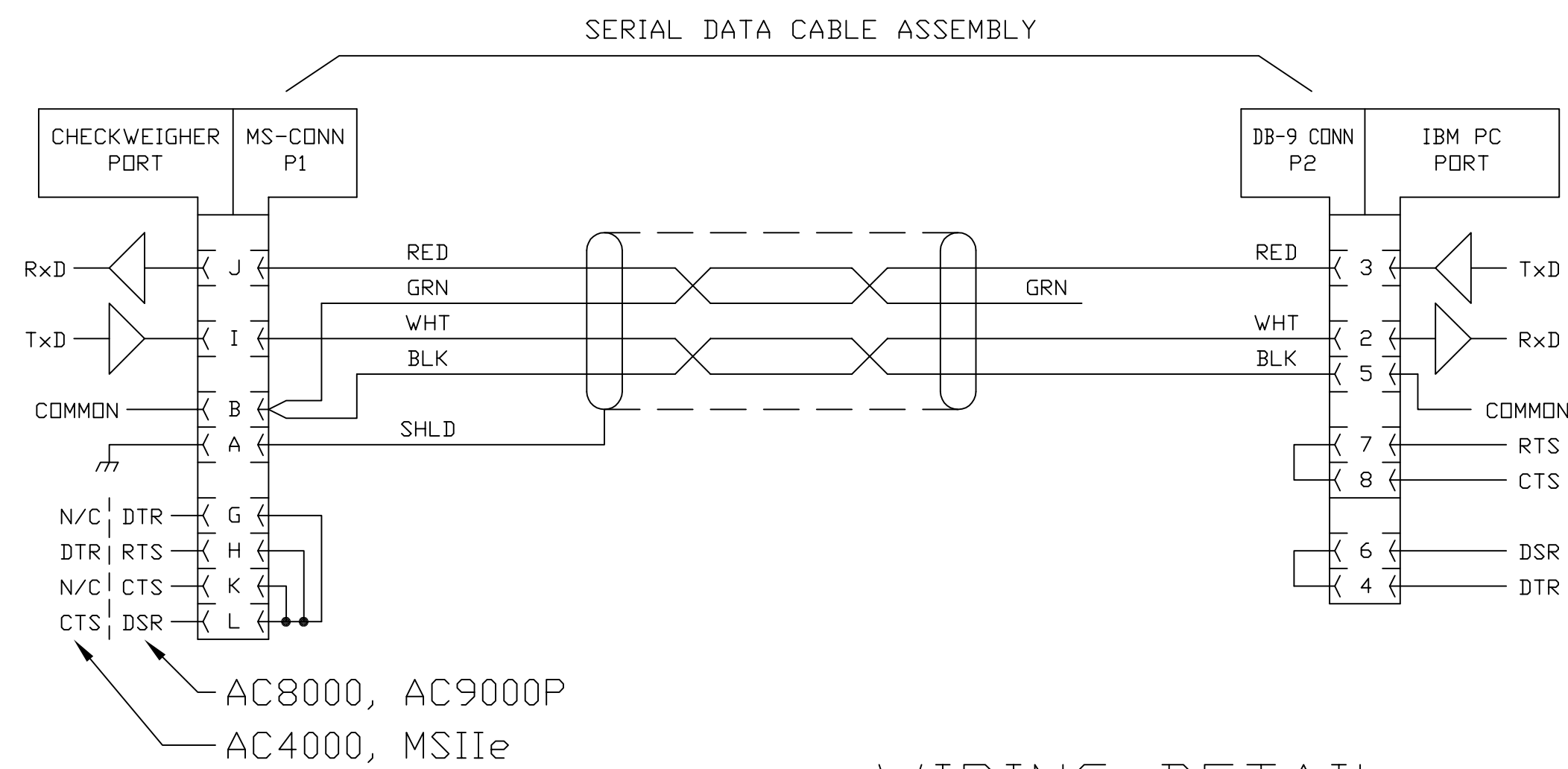
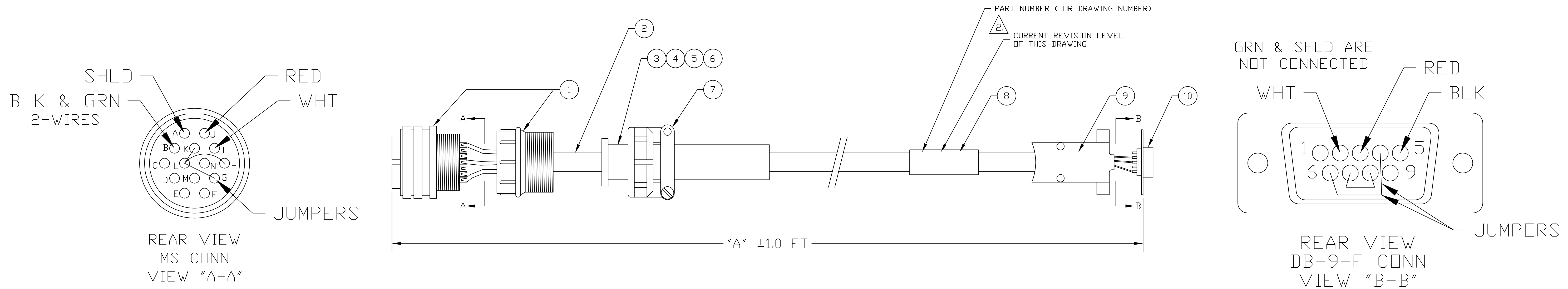
NOTE SPECIAL LENGTH

MAXIMUM LENGTH 350 FEET

NOTES:

- CUT UNUSED WIRE AND SHIELD AT END OF THE JACKET BEFORE INSTALLING ITEM #8.
- INK STAMP OR PRINT DATA SHOWN ONTO ITEM #8
- DRAWING DASH NUMBER EQUALS THE LENGTH OF THE CABLE IN TEN FOOT LENGTHS. EXAMPLE: FOR "-10" DIMENSION "A" = 100 FEET. CABLES CAN BE MADE UP TO 350 FEET IN LENGTH. (SEE TAB FOR CABLE LENGTHS WITH PART NUMBERS).

ITEM	PART NO	QTY	DESCRIPTION	DWG NO/SPEC
1	024602	1 EA	CONN,PLUG,STR,SZ 20 14PIN	
2	048633	TAB	CABLE,SHLD,4/C 24AWG,2 PR,EDDC	CUT "A" + .5 FT
3	027147	1 EA	BUSHING,CABLE CLAMP, .625 RBR	
4	018645	1 EA	BUSHING,CABLE CLAMP, .562 RBR	
5	017105	1 EA	BUSHING,CABLE CLAMP, .437 RBR	
6	009715	1 EA	BUSHING,CABLE CLAMP, .312 RBR	
7	025931	1 EA	CLAMP,CABLE,.750 ID (20&22)	
8	038044	1 EA	MARKER,WIRE,SLV,.50ID X 2'LG,WHT	
9	050877	1 EA	SHELL,METAL,"D"-SUB, 9PQS,CONN	
10	047264	1 EA	CONN,HSG,"D", 9PQS,RCPT,STR	



WIRING DETAIL

REV	ECO NO	MICRO	DESCRIPTION	DATE	BY	APPD
B	3194		ADD "VEIV" ARROWS	7/18/2002	DMO	DMO
A	2688		RELEASED	5/7/2001	DMO	DMO

DO NOT SCALE DWG		SCALE	
REMOVE ALL BURRS AND UNNECESSARY SHARP EDGES	JOB NO	ENG	DATE
		D. ORSON	5/3/2001
TOLERANCE UNLESS SPECIFIED		DATE	
.X ± .06		DMO	5/3/2001
.XX ± .03		CHK	5/3/2001
.XXX ± .01		DMO	5/3/2001
FRACT ± 1/16		DATE	
ANGLES ± 1/2"		DMO	5/3/2001

This document is confidential and is the property of Thermo Ramsey ("Ramsey"). It may not be copied or reproduced in any way without the expressed written consent of Ramsey. This document also is an unpublished work of Ramsey. Ramsey intends to and is maintaining the work as confidential information. Ramsey also may seek to protect this work as an unpublished copyright. In the event of either inadvertent or deliberate publication, Ramsey intends to enforce it's rights to the work under the copyright laws as a published work. Those having access to this work may not copy, use or disclose the information in this work unless expressly authorized by Ramsey.

Thermo Ramsey
501 - 90th Avenue N.W. • Minneapolis, MN 55433 • (763)783-2500

CABLE ASSEMBLY
RS-232 SERIAL COMMUNICATIONS
MS-CONN TO DB-9

PART NO	DRAWING NUMBER	REV
SEE TAB	D07262K-X012-XX	B